



RDA3118E28 Stereo Amplifier RDA3118 HTSSOP-28

Description:

The RDA3118E28 is a radio integrated circuit (IC) designed for FM radio receivers and wireless communication applications. This chip is used with high efficiency and advanced technology to provide high sound quality and optimal sensitivity in receiving radio waves.

This unit offers advanced features including digitalization of radio signals and automatic gain control (AGC) which makes it perform accurately and optimally in different conditions.

Specifications:

Series MS: 311x

Full name RDA3118E28

Type of chip: Audio stereo amplifier

Application: for amplifying sound in small-sized audio equipment, TVs, portable tape recorders, radios, Bluetooth - MP3 speakers, etc.

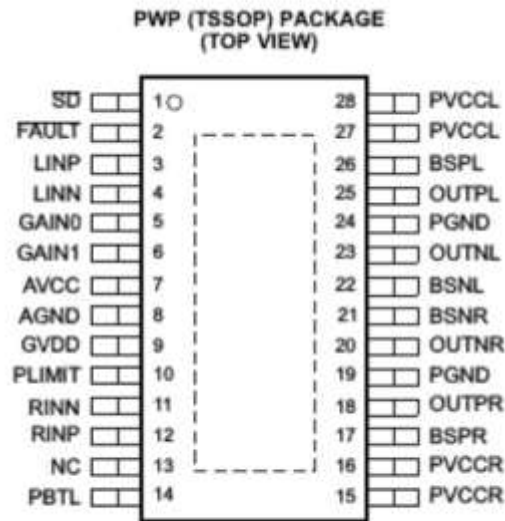
Supply voltage 4.5.....26 V

Nominal load 8 Ohm

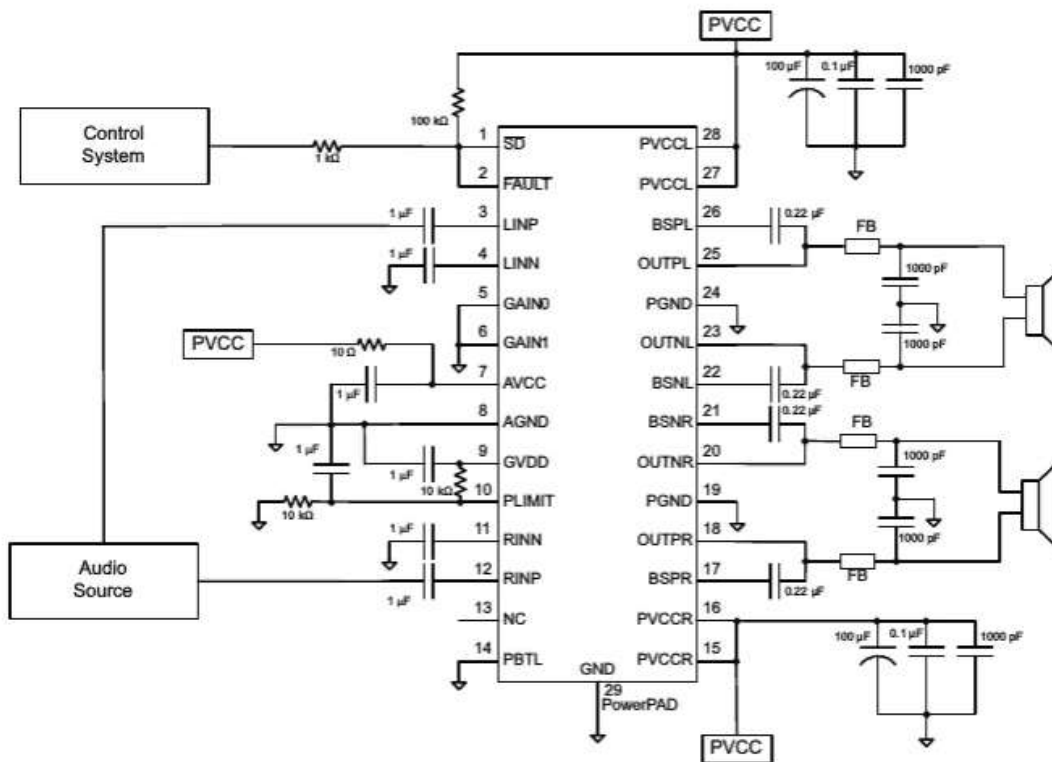
operating temperature range -40°C +85°C

Case type: HTSSOP-28

RDA3118E28 Pinout:



Circuit diagram for the RDA3118E28 amplifier in stereo mode :



Stereo Class-D Amplifier with BTL Output and Single-Ended Inputs